

## AUTOMATIC FEEDERS

# VARIOSTEFF

## 4

### Professional power-feeding unit with variable speeds

**Safety device** for a safe and effective workpiece feeding on different types of traditional **wood-working machines**.

- Improves the safety: the operator does not have to put his hands close to the tool
- Improves the finish quality, thanks to the constant and even feed-rate
- Feed-rate can be easily selected to meet every specific working need
- Easily adjustable to suit different sizes of work piece

More than 400.000 machines manufactured, over sixty years' experience. Maggi is the only European manufacturer of power-feeding units, which are 100% Italian-made, and abiding by the highest quality standards, as a result of the "Lean" manufacturing process, also known as "Toyota System".

## MODEL TECHNICAL FEATURES

Main features:

Variable speeds (3 - 18 mt/min - up to 33 m/min optional)

N.4 wheels (diam./ thickness 120x60 mm)

Motor power: 1 HP / 0,75 kW - 1.400/2.800 RPM

Cast aluminium housing, finished on high-precision machining centers

Steel-made gear cover

Eco-friendly, rust-resistant powder coating

Manufactured according to EC standards

## STANDARD EQUIPMENT

Cast aluminium housing and steel-made gear cover

1 HP motor with 3mt cable

50-Shore "Feeder Grip" rubber wheels

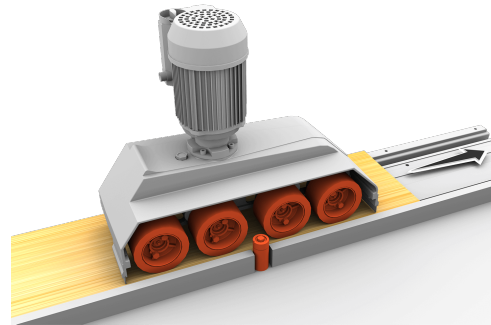
Package: recyclable cardboard box

# MORE INFORMATION



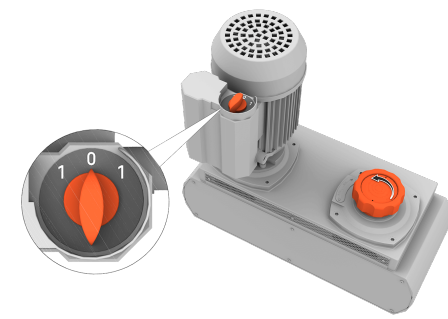
## FAST TILTING

Thanks to the **new EASY STAND** ( optional ) **You can tilt Your power-feeding unit in just one click** : turn the handle to unlock, tilt the feeder, turn the handle again to lock



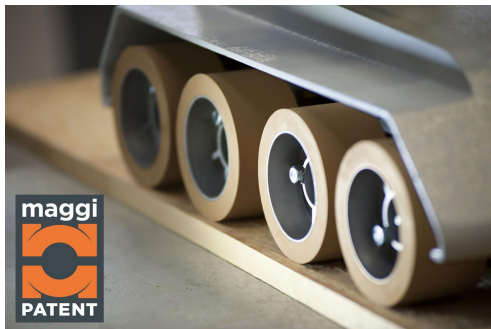
## HIGH-QUALITY END PRODUCTS

4-wheel model: the ideal solution for the feeding of wooden rods and medium and/or large-size workpieces. Thanks to the two infeed-wheels and the two outfeed ones, the workpiece is constantly and evenly fed through the working process, thus remarkably improving the quality of the end products.



## HIGHEST VERSATILITY

A wide range of variable speeds, that You can easily select by turning a knob. The ideal solution for those who often need to change the feeding rate. The speed selector on the motor unit allows a quick change of the feeding direction back and forth.



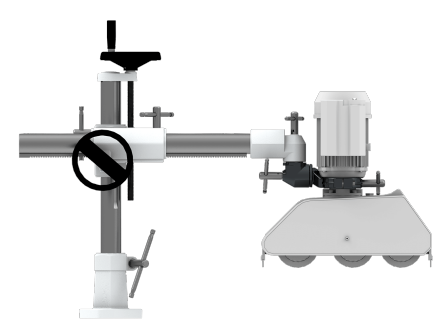
## PERFECT GRIP

50-Shore wheels made of patented "Feeder Grip" rubber, provide the longest durability and the highest grip on the workingpiece. 4 wheels ensure even more grip on the panel although the feeding process.



## SAFETY AS A CORE VALUE

A power-feeder improves the safety as it feeds the workpiece close to the tool, while operator's hands are kept at a distance. Its effectiveness depends on specific design and manufacturing criteria. Maggi feeders are the only ones designed and manufactured in Italy and abiding by all EU safety norms.



## UNIVERSAL STAND

For easy positioning and adjusting of the feeding unit on the machine tool. It is easy to fix, stable and strong: foot, cross-shaped piece, pipe, joint and collar are made of cast-iron and the two columns are made of rectified steel of considerable thickness. Handles made of steel and adjusting wheels allow a quick and accurate positioning.

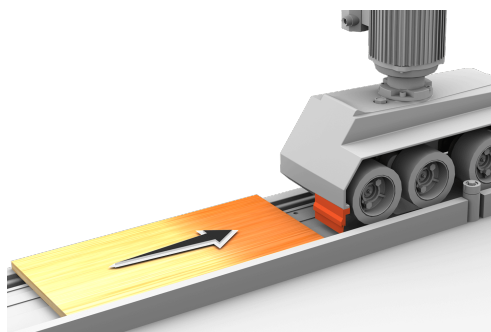
# MORE INFORMATION



## HIGH ADAPTABILITY

The 20 mm wheel suspension, with calibrated springs, allows the constant and even feeding of workpieces with different thicknesses without any additional set-up.

---



## SAFETY BRUSHES

Additional safety devices, both sides of the feeding unit.

---



## SAFE STAND

Equipped with safety restraint devices (SPS - System) preventing accidental unloads, to abide by EC safety norms.

---

# DATA SHEET

<b>N. of speeds back and forth</b>	----
<b>Fixed speeds</b>	da 3 a 18 mt/min (fino a 33 mt/min optional)
<b>N. of wheels</b>	4
<b>Wheel diameter and thickness</b>	120 x 60 mm
<b>Motor</b>	1 HP / 0,75 KW    RPM 1400 /2800
<b>Wheel suspension</b>	20 mm
<b>Distance between wheels</b>	162 mm - 152 mm - 133 mm
<b>Distance between first and last wheel</b>	447 mm
<b>Overall dimensions and net weight of the feeding unit</b>	620 x 206 x 510 mm - 35 Kg
<b>Overall dimensions and net weight of the stand</b>	540 x 910 mm - 35 Kg
<b>Package dimensions and gross weight (feeding unit)</b>	670 x 570 x 330 mm - 37 Kg
<b>Package dimensions and gross weight (stand)</b>	800 x 330 x 330 mm - 37 Kg

